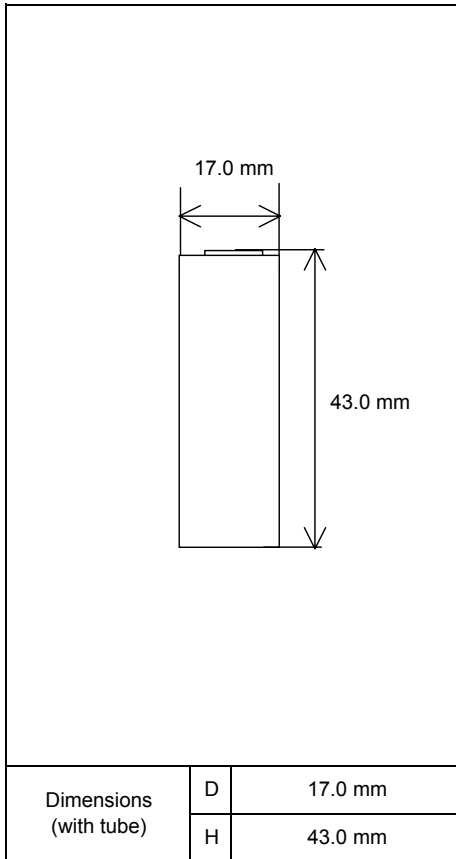


## Specifications

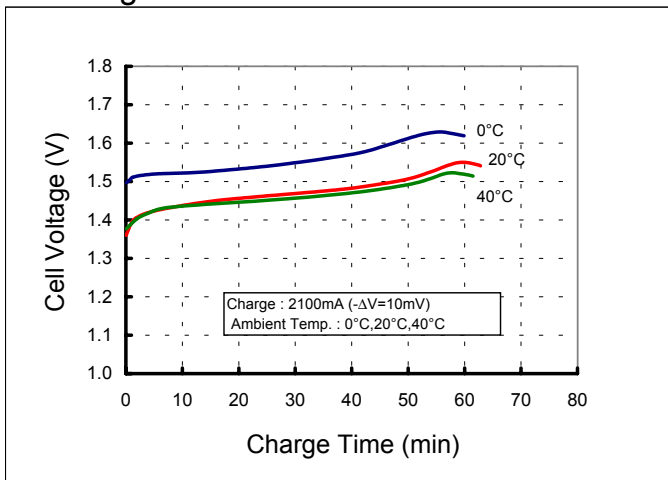


Type : Nickel-Metal Hydride Battery		Size : 4/5A	
Capacity <sup>1)</sup>	Typical	2150mAh	
	Minimum	1900mAh	
Nominal Voltage		1.2V	
Charging Current x Time	Fast Charge <sup>2)</sup>	2150 mA x about 1.1h	
Ambient Temp.	Charge Condition	Fast Charge <sup>2)</sup>	
	Discharge Condition	0°C - 50°C	
	Storage Condition	Less than 30days	-20°C - 50°C
		Less than 90days	-20°C - 40°C
Less than 1year		-20°C - 30°C	
Internal Impedance <sup>3)</sup> (after discharge to E.V.=1.0V)		About 25mΩ(at 1000Hz)	
Weight <sup>4)</sup>		About 35 g	
Size <sup>4)</sup> : (Diameter) x (Height)		17.0(D) x 43.0(H) mm	

- 1) Single cell capacity under the following condition.  
 Charge : 215mA×16h, Discharge : 430mA(E.V.=1.0V) at 20°C  
 2) Use a recommended charging system.  
 3) After a few charge and discharge cycles under the above 1) condition.  
 4) With tube.

## Typical Characteristics

### Charge



### Discharge

